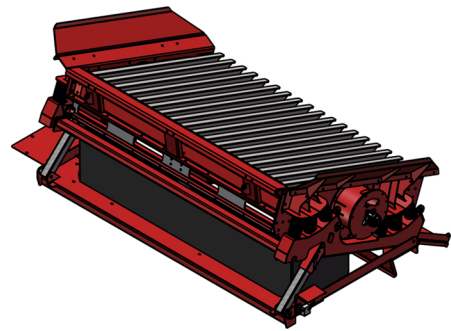


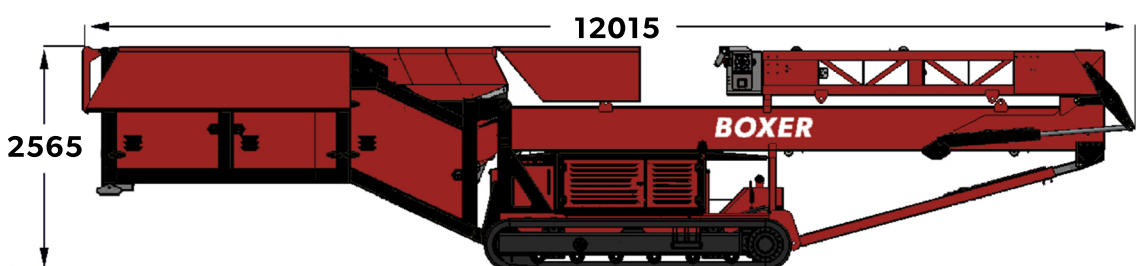
The Screencore Boxer is a precision pugmill mixer and blender with belt-feed hopper for accurate feed and high capacity

Boxer

- Cat C3.6 100kw Tier 4, Stage V (C4.4 LRC)
- 12m Discharge Conveyor
- 1200mm wide Conveyor with Weigh Scales
- Full PLC control with Telemetry
- Hydraulic adjust heavy duty Mixer Box with camera
- On-board powder hopper and 400 litre water tank
- High capacity fluid dosing system
- Hydraulic folding for transport



Double Deck Vibrating Grid Option



Transport Dimensions