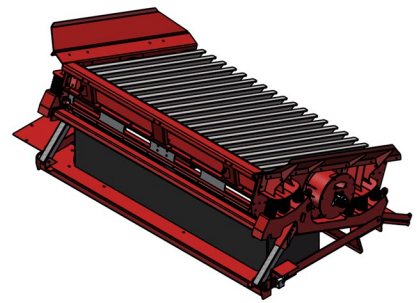


**The Screencore 470 is the ultimate material mover for any facility with a 24m discharge belt and a dump-feed hopper allowing for maximum productivity**

## SCREENCORE 470

- Cat 3.6 Tier 4 Engine (C4.4 LRC)
- 4m Tracks
- Twin Drive 1200mm wide feed conveyor
- Twin 500 drives and check valves on main conveyor
- Main conveyor lowers to horizontal
- 1200mm main conveyor
- Mulch Agitator option
- Hydraulic stabilizing legs under feeder
- 10m<sup>3</sup> capacity hopper
- Transport width 2500
- Full length side skirting
- Vibrating grid option
- Tipping grid option
- Shorter conveyor option
- Multi-function radio control
- Smaller hopper option (to suit container shipping)



**Double Deck Vibrating Grid Option**

